

1/4

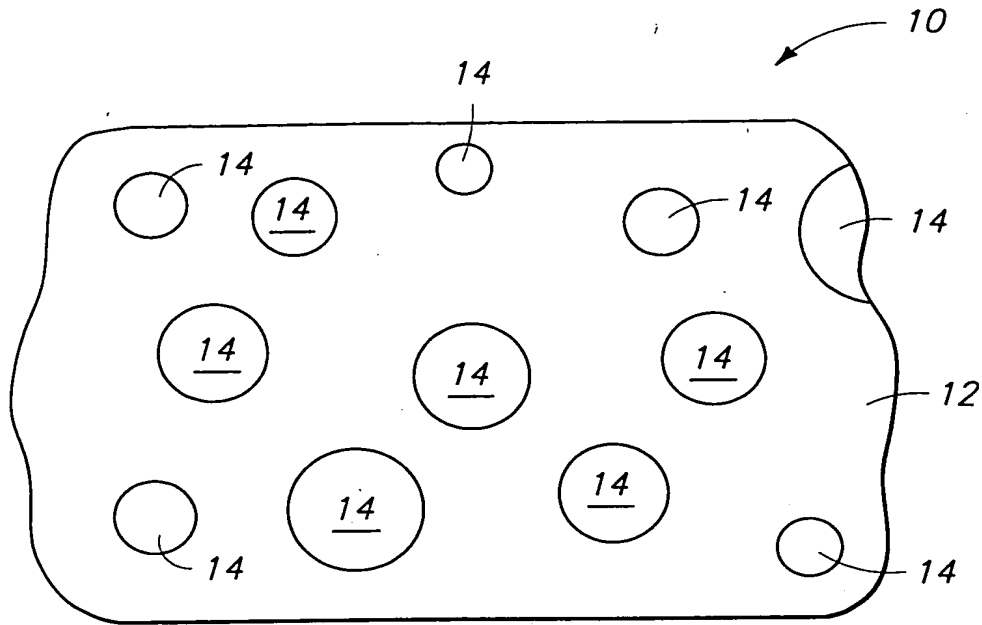


FIG 1  
PRIOR ART

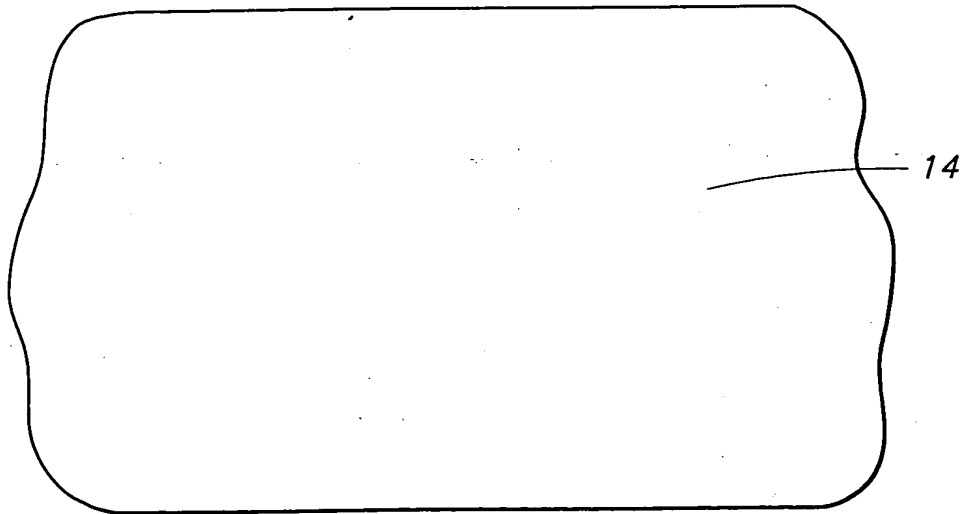
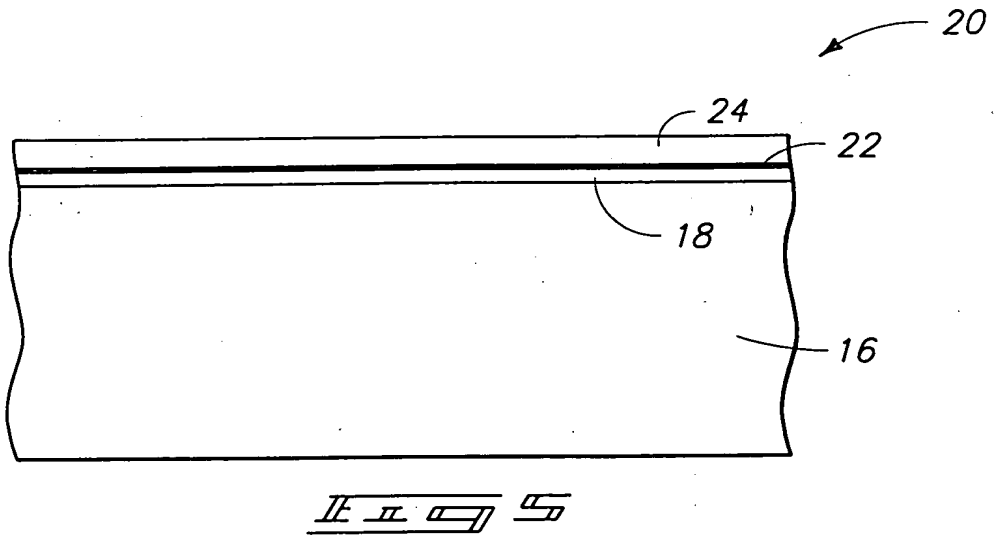
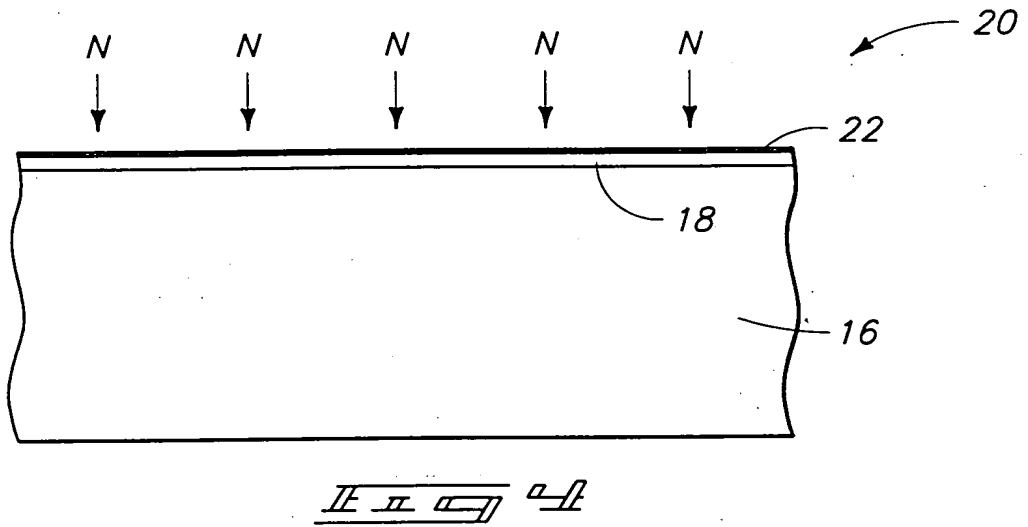
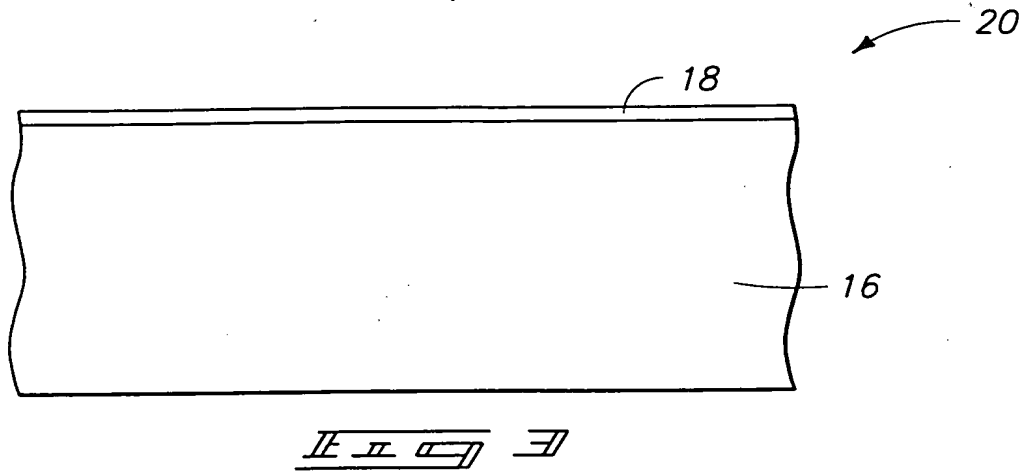
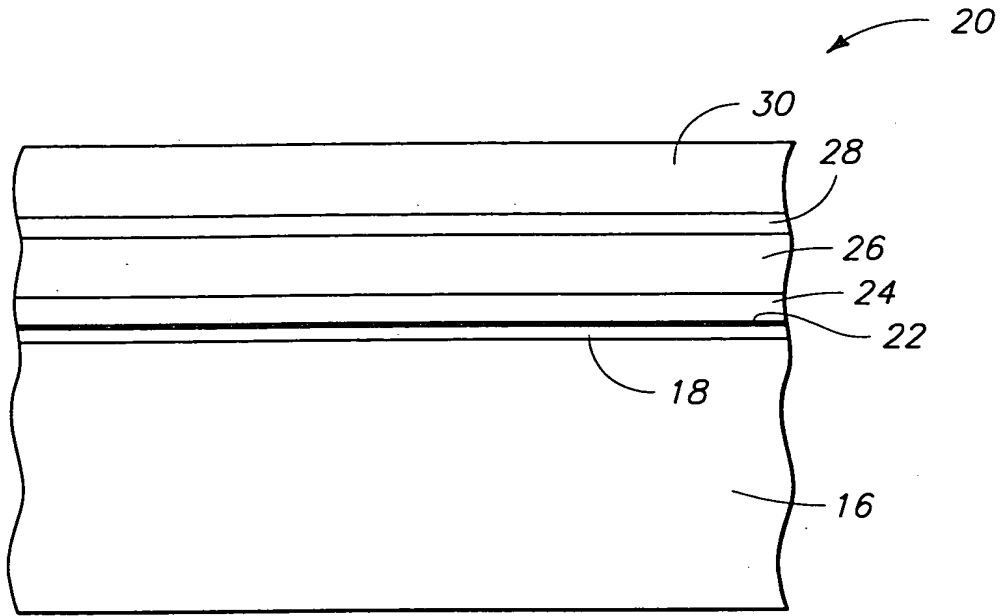


FIG 2  
PRIOR ART

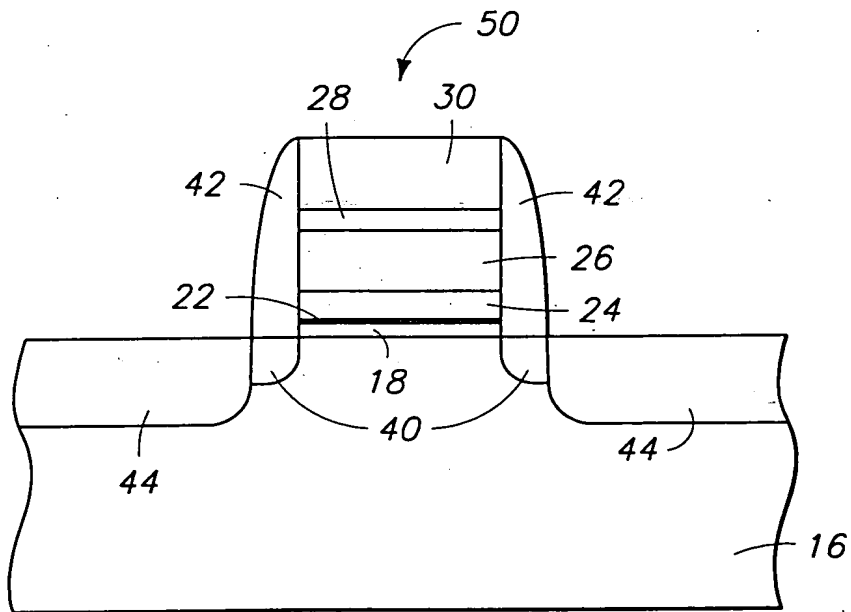
2/4



3/4



II II II II



II II II II

